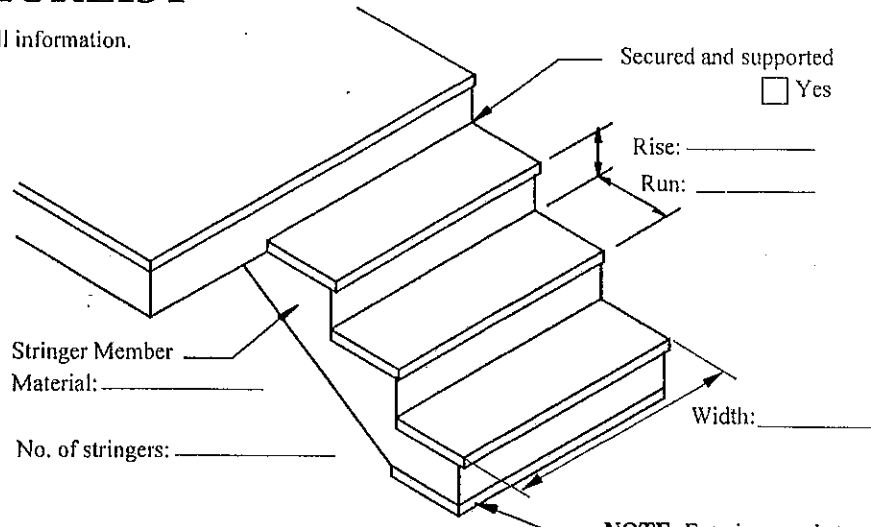


DECK CHECKLIST

Please complete all information.

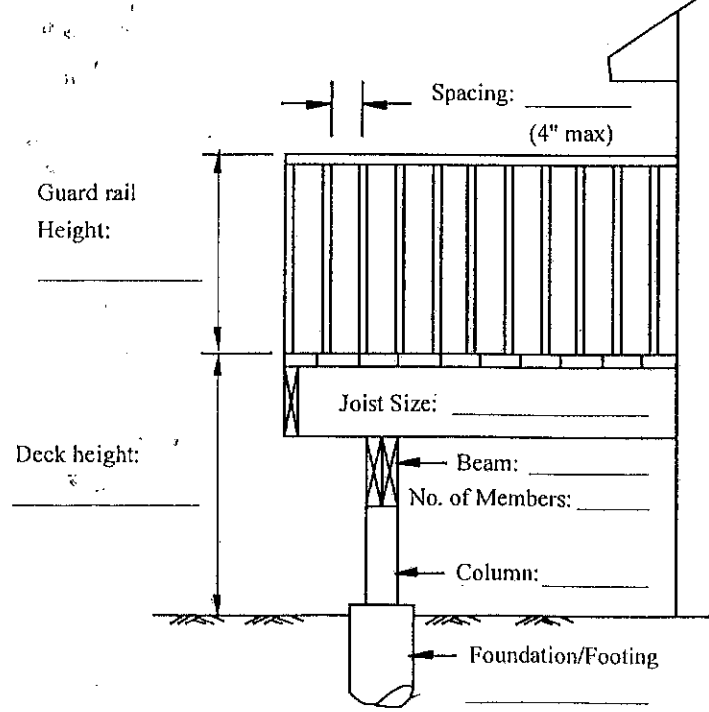
Property Line

Sketch house footprint and deck location with distances to Property Lines. Show overall dimensions of the deck.

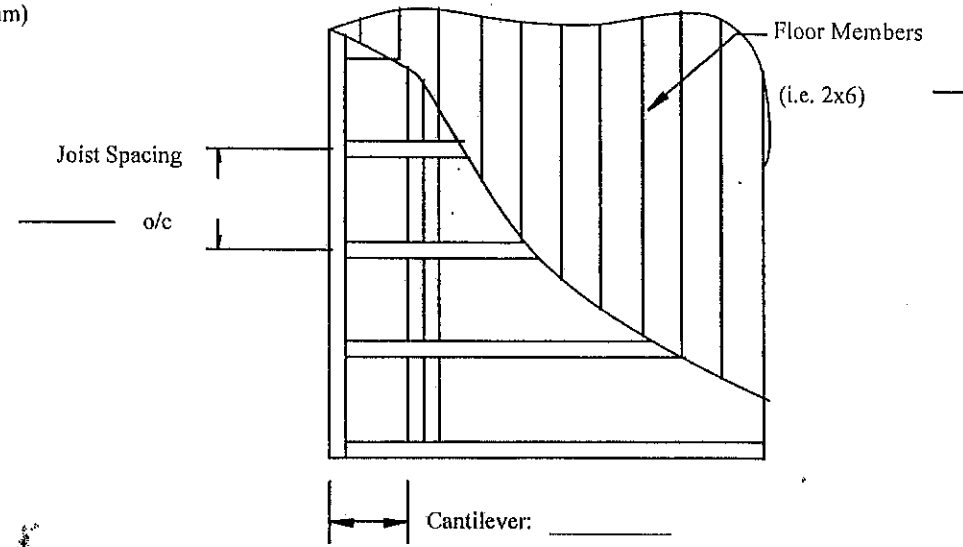


NOTE: Exterior wood steps shall not be in direct contact with the ground unless suitably treated with a wood preservative.

NOTE: Handrail required when more than 3 risers.



NOTE: Guard rail required when deck height is > 24" (600 mm) above finished grade.



Owner's Name: _____

Street Address: _____

Deck - Specifications for:

Name: _____

Address: _____

Legal Land Location: _____

Phone: _____ Cell: _____

Contractor: _____ Ph: _____

Specifications

Structure:

_____ Attached **OR** _____ Detached

Size: _____ x _____ (state if size is in ft² or m²)
If over 55m² (592 ft²) or more than 600mm (2') off the ground,
then provide piles (see page 4)

Footing pad (Detail "A") size: _____ x _____ thick
(must be reinforced)

Provide distance between beams: _____

If deck is attached to a mobile dwelling:
then deck foundation to be same as mobile dwelling's foundation
OR piles (Detail "B" - see page 4) (must be reinforced)

Column size: _____ " x _____ " (i.e. 3 ply 2" x 6" / steel telepost)

Beam: _____ ply of 2" x _____
Span between columns along beam: _____

Joists: 2" x 6", 8", 10" or 12" @ _____ " spacing

Attach joist to the ledger board with joist hangers (if deck is attached)

Distance between supports (i.e. ledger board to beam) _____

Provide joist cantilever length past beam _____

Decking material is _____ x _____ (i.e. radius/plywood/2"x 6") (If composite, then joists to be 16" o.c.)

Dimensional lumber/treated (i.e. 2" x 8") or other _____

Permit # _____

Town/Village/RM of _____

Date: _____

Safety:

Height from ground: _____

Clearance from deck to overhead wires: _____

For height of deck guardrail & stair handrail, see pages 2 & 3.

Roof: _____ No _____ Yes (If "yes" then piles are required for support
and plans are to be Engineer stamped & site specific.)

Engineered trusses: **If yes**, manufactured by:

If no, then rafter & joist size is: _____ " x _____ "

Spaced _____ apart with a _____ overhang

Thickness/type of sheathing: _____

Type of shingles: _____